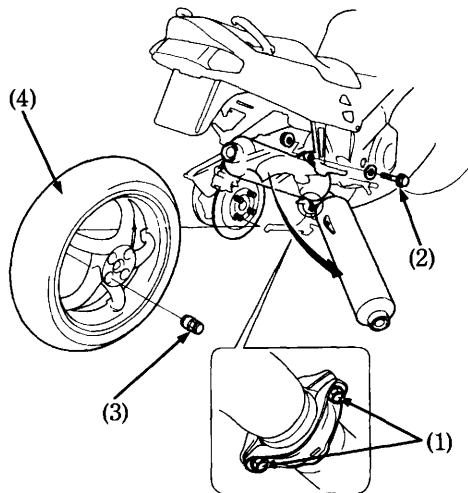


Rear Wheel Removal

1. Place the motorcycle on the center stand.
2. Loosen the muffler clamp bolts (1).
3. Remove the muffler mounting bolt (2) and slide the muffler to a side as shown.
4. Remove the four rear wheel nuts (3).
5. Remove the rear wheel (4) slowly.



- | | |
|---------------------------|--------------------|
| (1) Muffler clamp bolts | (3) Rear wheel nut |
| (2) Muffler mounting bolt | (4) Rear wheel |