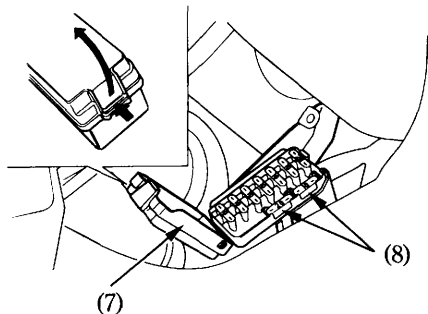


To replace fuses, remove the fuse box case cover (4) by removing the screw (6) and open the fuse box cover (7).

Pull the old fuse out of the clips. Push a new fuse into the clips and close the fuse box cover.

The spare fuses (8) are located in the fuse box.

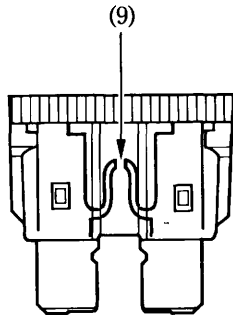


(7) Fuse box cover

(8) Spare fuses

▲WARNING

* Never use a fuse with a different rating from that specified. Serious damage to the electrical system or a fire may result, causing a dangerous loss of lights or engine power.



(9) Blown fuse