

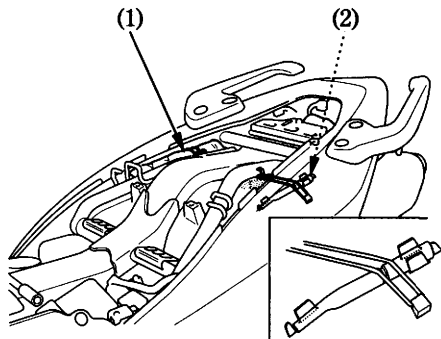
TOOL KIT

The tool kit (1) is under the seat (page 58). Some roadside repairs, minor adjustments and parts replacement can be performed with the tools contained in the kit.

- Tool bag
- 10 × 12 mm Box end wrench
- 14 × 17 mm Box end wrench
- Spark plug wrench
- 5 mm Hex wrench
- 6 mm Hex wrench
- 8 × 12 mm Open end wrench
- 10 × 14 mm Open end wrench
- Pliers
- No. 2 Phillips screwdriver
- No. 2 screwdriver
- Screwdriver grip
- 8 mm Box wrench
- 0.7 mm Feeler gauge
- Pin spanner
(for drive chain adjustment)
- Pin spanner
(for rear suspension adjustment)
(VFR)

The following tool is also provided with your motorcycle.

- Extension bar



- (1) Tool kit
- (2) Extension bar