

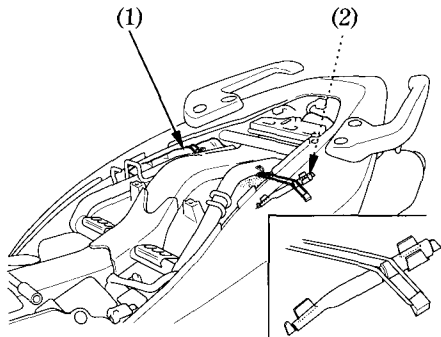
## TOOL KIT

The tool kit (1) is under the seat (page 58 ). Some roadside repairs, minor adjustments and parts replacement can be performed with the tools contained in the kit.

- Tool bag
- 10 × 12 mm Box end wrench
- 14 × 17 mm Box end wrench
- Spark plug wrench
- 5 mm Hex wrench
- 6 mm Hex wrench
- 8 × 12 mm Open end wrench
- 10 × 14 mm Open end wrench
- Pliers
- No. 2 Phillips screwdriver
- No. 2 screwdriver
- Screwdriver grip
- 8 mm Box wrench
- 0.7 mm Feeler gauge
- Pin spanner  
(for drive chain adjustment)
- Pin spanner  
(for rear suspension adjustment)  
(VFR)

The following tool is also provided with your motorcycle.

- Extension bar



- (1) Tool kit  
(2) Extension bar