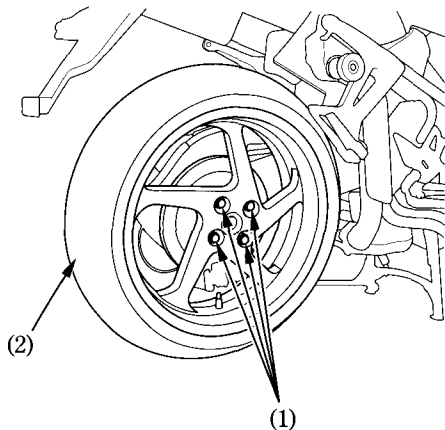


## Rear Wheel Removal

1. Place the motorcycle on its center stand.
2. Remove the four rear wheel nuts (1).
3. Remove the rear wheel (2) slowly.



- (1) Rear wheel nuts  
(2) Rear wheel

## Installation Notes:

To install the rear wheel, reverse the removal procedure.

Tighten the rear wheel nuts to the specified torque:

108 N·m (11.0 kgf·m , 80 lbf·ft)

After installing the wheel, apply the brake several times and then check if the wheel rotates freely. Recheck the wheel if the brake drags or if the wheel does not rotate freely.

If a torque wrench was not used for installation, see your Honda dealer as soon as possible to verify proper assembly. Improper assembly may lead to loss of braking capacity.