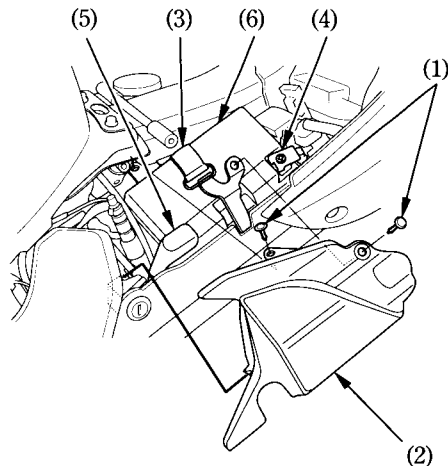


### Removal:

1. Make sure the ignition switch is OFF.
2. Remove the seat (page 58).
3. Remove the clips (1), then remove the battery cover (2).
4. Release the rings and remove the rubber band (3).
5. Disconnect the negative (-) terminal lead (4) from the battery first, then disconnect the positive (+) terminal lead (5).
6. Pull out the battery (6) from the battery box.

### Installation:

1. Reinstall in the reverse order of removal.  
Be sure to connect the positive (+) terminal first, then the negative (-) terminal.
2. Check all bolts and other fasteners are secure.



- (1) Clips
- (2) Battery cover
- (3) Rubber band
- (4) Negative (-) terminal lead
- (5) Positive (+) terminal lead
- (6) Battery