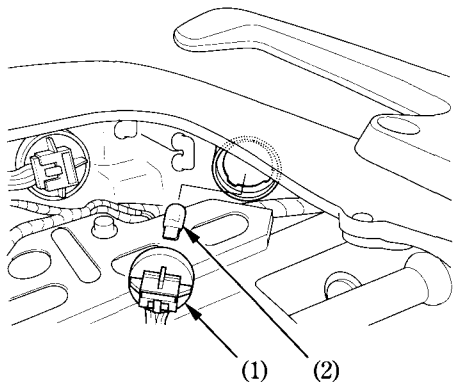


Rear Turn Signal Bulb

1. Remove the seat (page 58).
2. Turn the socket (1) 90° counter-clockwise, then pull it out toward you.
3. Pull out the bulb (2) without turning.
4. Install a new bulb in the reverse order of removal.



- (1) Socket
(2) Bulb