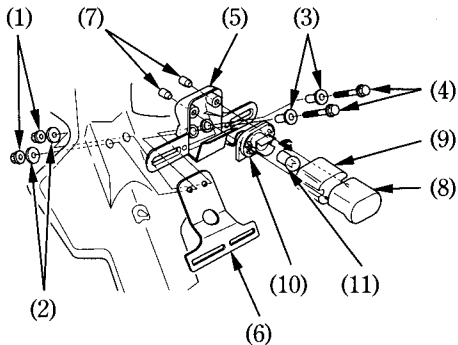


License Light Bulb

1. Remove the A nuts (1), washers (2), collars (3) and bolts (4).
2. Remove the license plate bracket (5).
3. Remove the license plate bracket stay (6). (Except U, IIU type)
4. Remove the B nuts (7), license light cover (8), license light lens (9) and socket (10) from the license plate bracket.
5. Slightly press the bulb (11) and turn it counterclockwise.
6. Install a new bulb in the reverse order of removal.
7. Install the removed parts in the reverse order of removal.



- (1) A nuts
- (2) Washers
- (3) Collars
- (4) Bolts
- (5) License plate bracket
- (6) License plate bracket stay
- (7) B nuts
- (8) License light cover
- (9) License light lens
- (10) Socket
- (11) Bulb