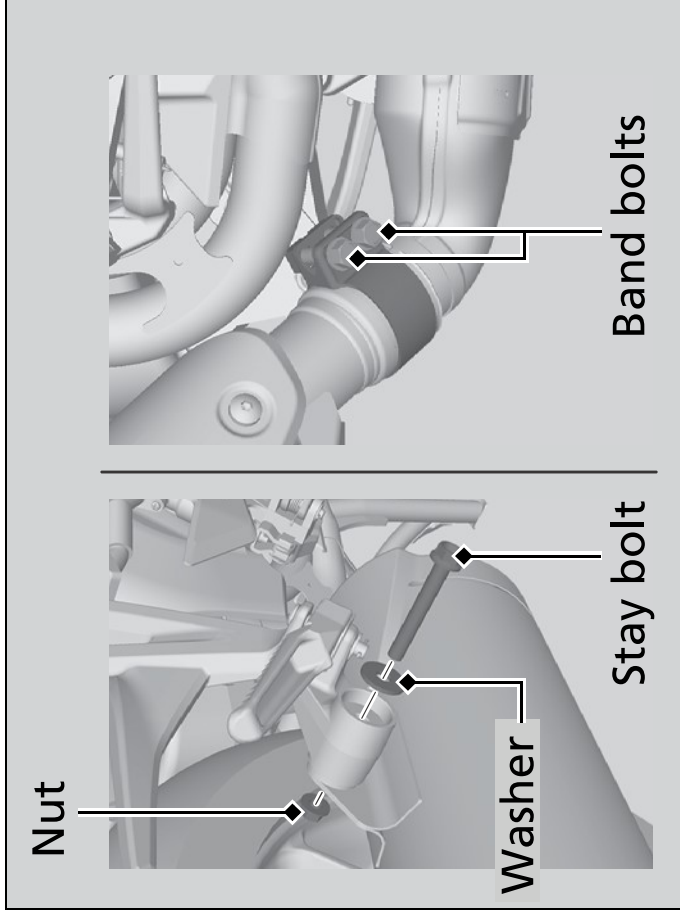


Rear Wheel

Removal

1. Park your motorcycle on its centre stand on a firm, level surface.
2. Loosen the muffler band bolts.
3. Remove the muffler stay bolt, nut and washer.



4. Move the muffler outward.
5. Remove the rear wheel nuts, and remove the rear wheel.

