



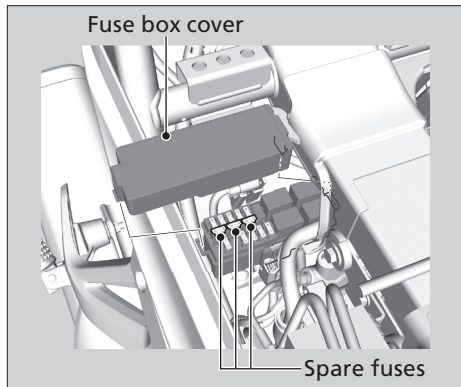
Electrical Trouble ► Blown Fuse

Blown Fuse

Before handling fuses, see “Inspecting and Replacing Fuses”. ►P.46

! Fuse Box Fuses

Troubleshooting



1. Remove the seat. ►P.54
2. Remove the fuse box cover.
3. Pull the fuses out with the fuse puller in the tool kit and check for a blown fuse. Always replace a blown fuse with a spare of the same rating.
4. Reinstall the fuse box cover.
5. Reinstall the seat.