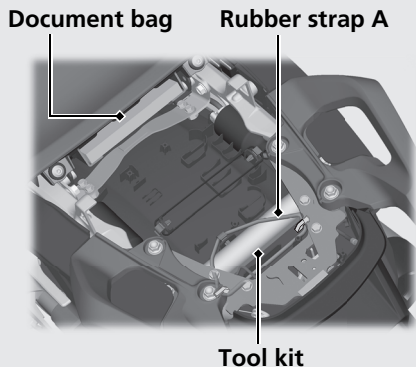


Tool Kit/Document Bag

The tool kit is located under the rear seat. Secure the tool kit with the rubber strap A (large-diameter) as shown in the illustration. The document bag is located under the front seat.

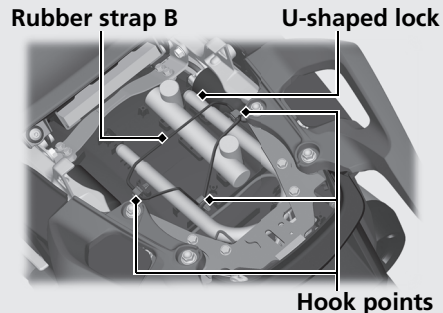


Removing the Rear Seat ➡ P.68

U-shaped Lock

A U-shaped lock is held in place above the rear fender.

- 1 Remove the rubber strap A (large-diameter) and tool kit from the rear fender.
- 2 Place the U-shaped lock onto the rear fender, and then secure it by hooking the rubber strap B (small-diameter) at the three points as shown in the illustration.
 - ▶ Some U-shaped locks may not fit in the compartment due to their size or design.



continued 49