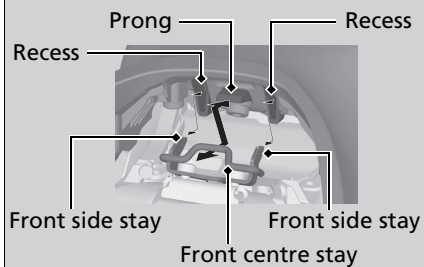


Removing & Installing Body Components ▶ Front Seat

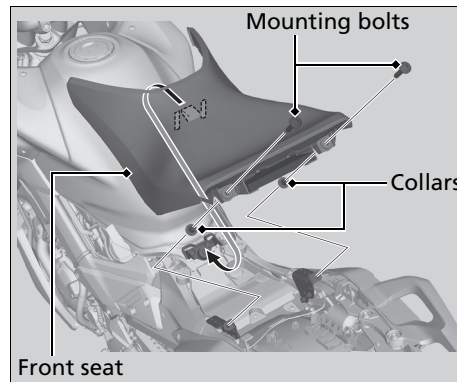
When setting the low seat position:

Install the front seat by aligning its recesses with the front side stays and its prong with the front centre stay.

Low position:



2. Install the collars and mounting bolts.
3. Tighten the mounting bolts securely.
4. Make sure that the mount positions of the front seat prong and the adjust plates are the same seat position. ▶ P. 96



5. Install the rear seat.
Make sure that the seat is locked securely in position to pull it up lightly.

For the front seat height adjustment, see "Changing the Front Seat Height." ▶ P. 94