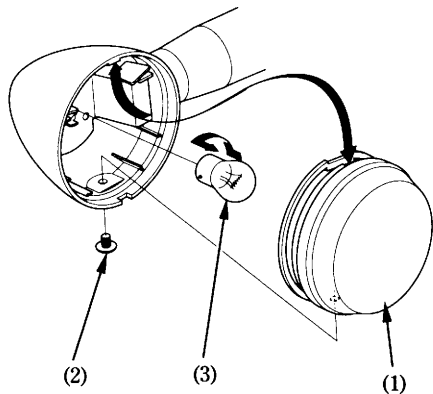


Front/Rear Turn Signal Bulb

1. Remove the turn signal lens (1) by removing the screw (2).
2. Slightly press the bulb (3) and turn it counterclockwise.
3. Install a new bulb in the reverse order of removal.



(1) Turn signal lens
(2) Screw

(3) Bulb