

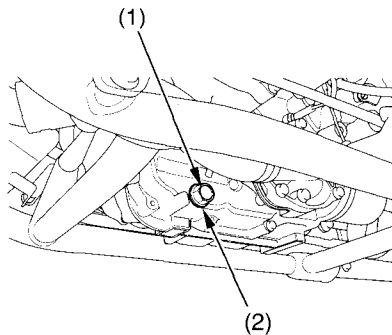
## Engine Oil & Filter

This procedure requires mechanical skill and professional tools such as a torque wrench and oil filter wrench, as well as a means for disposing of the drained fluid (page 143 ). If you do not have the skills or the tools, see your Honda dealer.

### *Drain the Engine Oil:*

1. Park the motorcycle on its side stand on a firm, level surface.
2. If the engine is cold, start it and let it idle for 3 – 5 minutes. Turn the engine off. Wait 2 – 3 minutes for the oil to settle.
3. Place a drain pan under the engine oil drain bolt ( 1 ).
4. To drain the oil, remove the oil filler cap/dipstick, engine oil drain bolt ( 1 ), and sealing washer ( 2 ).

### LEFT FRONT, UNDER ENGINE



- (1) engine oil drain bolt  
(2) sealing washer