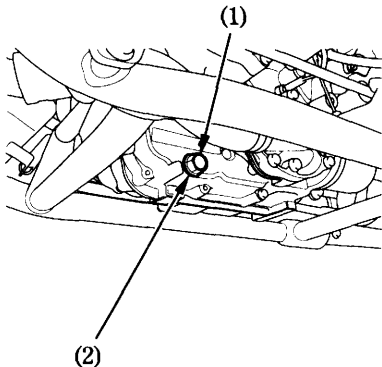
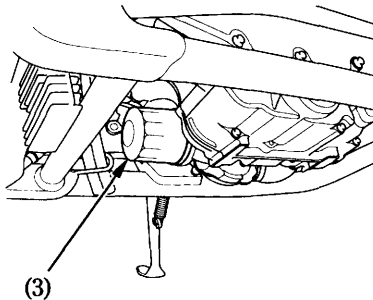


1. To drain the oil, remove the oil filler cap/dipstick and oil drain plug (1) and sealing washer (2).



- (1) Oil drain plug
- (2) Sealing washer

2. Remove the oil filter (3) with a filter wrench and let the remaining oil drain out. Discard the oil filter.



- (3) Oil filter