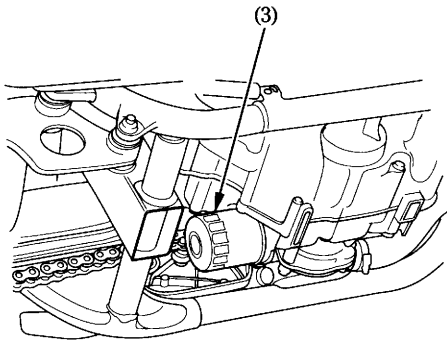


2. Remove the oil filter (3) with a filter wrench and let the remaining oil drain out. Discard the oil filter.
3. Check that the new oil filter rubber seal is in good condition.

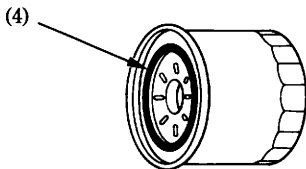


(3) Oil filter

4. Apply a thin coat of engine oil to the new oil filter rubber seal (4).
5. Using a special tool and a torque wrench, install the new oil filter and tighten to a torque of:

10 N·m (1.0 kgf·m , 7 lbf·ft)

Use only the Honda genuine oil filter or a filter of equivalent quality specified for your model. Using the wrong Honda filter or a non-Honda filter which is not of equivalent quality may cause engine damage.



(4) Oil filter rubber seal