

## WHEEL REMOVAL

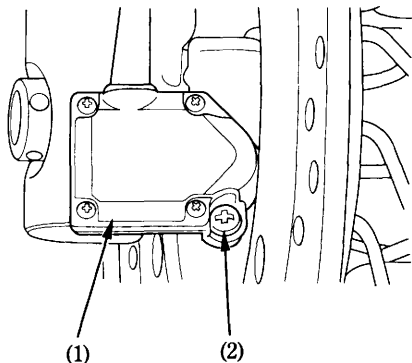
(Refer to the maintenance precautions on page 54).

### NOTE:

- This motorcycle is equipped with a side stand only. Therefore, if front or rear wheel removal is required, it will be necessary to raise the center of the motorcycle with a jack or other firm support. If none is available, see your Honda dealer for this service.

## Front Wheel Removal

1. Raise the front wheel off the ground by placing a support block under the engine.
2. Disconnect the speedosensor (1) by removing the speedosensor set screw (2).



- (1) Speedosensor
- (2) Speedosensor set screw