

Main fuse:

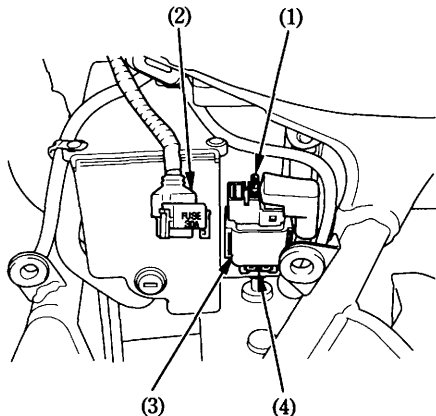
The main fuse (1) is located behind the left side cover. The specified fuse is:

30A

1. Remove the left side cover (page 34).
2. Disconnect the wire connector (2) of the stator magnetic switch (3).
3. Pull out the fuse. If the fuse is blown install a new fuse.

The spare main fuse (4) is located under the starter magnetic switch (3).

4. Reconnect the wire connector and install the left side cover.



- | | |
|--------------------|-----------------------------|
| (1) Main fuse | (3) Starter magnetic switch |
| (2) Wire connector | (4) Spare main fuse |