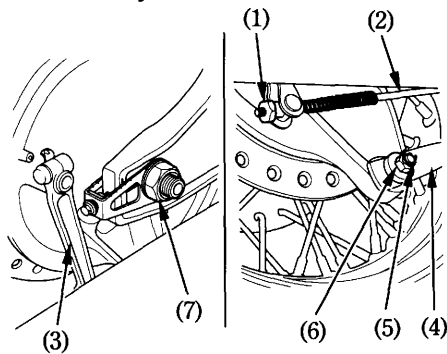


Rear Wheel Removal

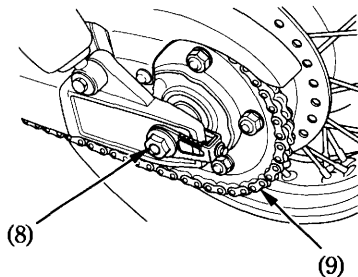
1. Raise the rear wheel off the ground by placing a support block under the engine.
2. Remove the rear brake adjusting nut (1), disconnect the brake rod (2) from the brake arm (3) by pushing down on the rear brake pedal.



- (1) Adjusting nut
- (2) Brake rod
- (3) Brake arm
- (4) Stopper arm

- (5) Cotter pin
- (6) Stopper arm nut
- (7) Axle nut

3. Disconnect the brake stopper arm (4) from the brake panel by removing the cotter pin (5), stopper arm nut (6), washer and rubber grommet.
4. Remove the axle nut (7) while holding the axle at the other end with a wrench.
5. Pull out the axle (8).
6. Remove the drive chain (9) from the driven sprocket by pushing the rear wheel forward.
7. Remove the rear wheel.



- (8) Rear axle
- (9) Drive chain