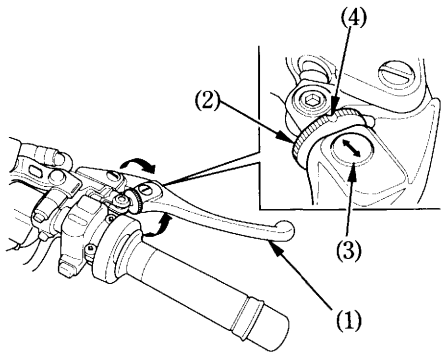


Front Brake Lever:

The distance between the tip of the brake lever (1) and the grip can be adjusted by turning the adjuster (2).

CAUTION:

- * **Align the arrow (3) on the brake lever with index mark (4) on the adjuster.**



- (1) Brake lever
- (2) Adjuster

- (3) Arrow
- (4) Index mark

Rear Brake

Rear brake fluid level:

▲WARNING

- * **Brake fluid may cause irritation. Avoid contact with skin or eyes. In case of contact, flush thoroughly with water and call a doctor if your eyes were exposed.**
- * **KEEP OUT OF REACH OF CHILDREN.**

CAUTION:

- * **Handle brake fluid with care because it can damage plastic and painted surfaces.**
- * **When adding brake fluid, be sure the reservoir is horizontal before the cap is removed or brake fluid may spill out.**
- * **Use only DOT 4 brake fluid from a sealed container.**
- * **Never allow contaminants such as dirt or water to enter the brake fluid reservoir.**