

Wear inspection:

Check the chain wear label when adjusting the chain. If the red zone (2) on the label aligns with the long index mark (1) on the chain adjuster plates after the chain has been adjusted to the proper slack, the chain is excessively worn and must be replaced.

The proper slack is:

30 – 40 mm (1.2 – 1.6 in)

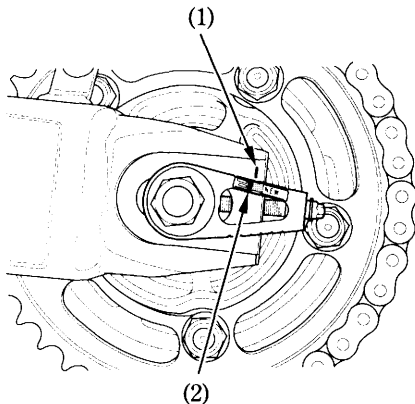
Replacement chain:

DID 50ZVM

or

RK 50LFOZ2

This motorcycle has a staked master link drive chain which requires a special tool for cutting and staking. Do not use an ordinary master link with this chain. See your Honda dealer.



(1) Index mark

(2) Red zone