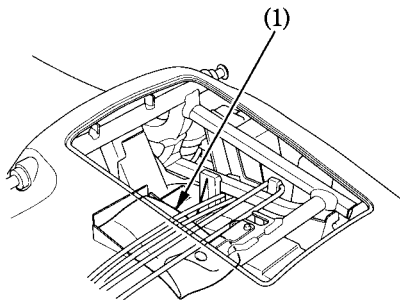


## TOOL KIT

The tool kit (1) is under the rear seat. Some roadside repairs, minor adjustments and parts replacement can be performed with the tools contained in the kit.

- 10 × 12 mm Box end wrench
- 10 × 12 mm Open end wrench
- Pliers
- 5 mm Hex wrench
- No. 2 screwdriver
- No. 2 phillips screwdriver
- Screwdriver handle
- 8 mm Box wrench
- 8 mm Open end wrench
- 22 mm Box end wrench
- 32 mm Box end wrench
- Extension bar
- Spark plug wrench
- 0.7 mm Feeler gauge
- Pin spanner
- Tool bag
- Helmet wire



(1) Tool kit