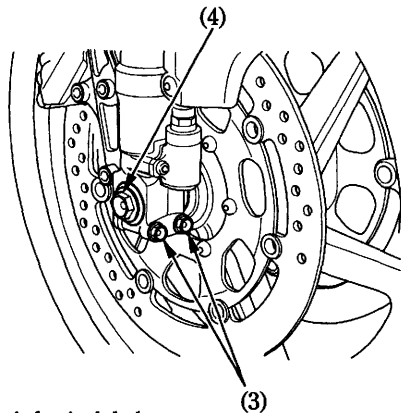
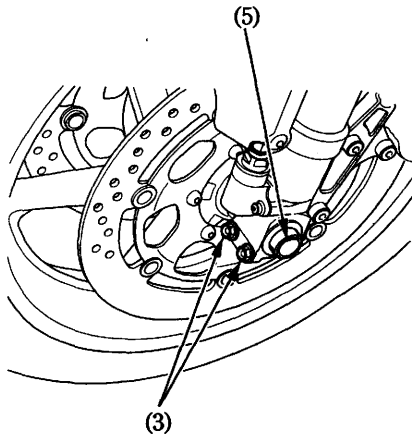


Do not depress the brake lever when the caliper assembly is removed. The caliper pistons will be forced out of the cylinders with subsequent loss of brake fluid. If this occurs, servicing of the brake system will be necessary. See your Honda dealer for this service.

3. Loosen the right and left axle pinch bolts (3), and remove the front axle bolt (4).
4. Withdraw the front axle shaft (5) and remove the front wheel.



- (3) Axle pinch bolts
(4) Front axle bolt



- (5) Front axle shaft