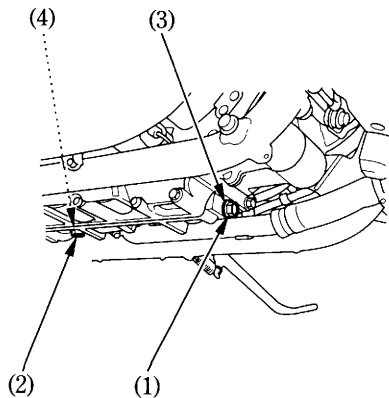
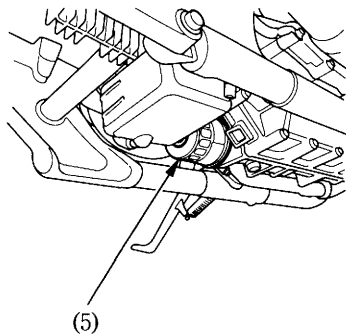


1. To drain the oil, remove the oil filler cap/  
dipstick and crankcase drain plug A (1),  
B (2) and sealing washer A (3), B (4).



2. Remove the oil filter (5) with a filter  
wrench and let the remaining oil drain out.  
Discard the oil filter.



(1) Oil drain plug A  
(2) Oil drain plug B

(3) Sealing washer A  
(4) Sealing washer B

(5) Oil filter