



FUEL Fuel Tank

The fuel tank is located behind the fuel lid.
Fuel tank capacity is:

6.1 ℓ (1.61 US gal, 1.34 Imp gal)

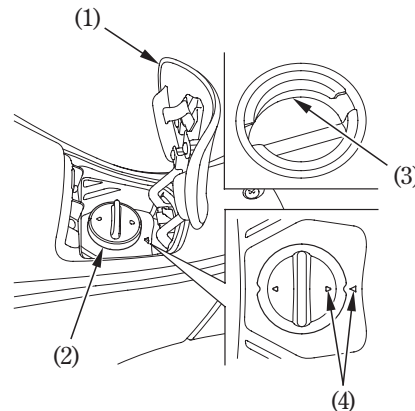
Open the fuel lid (1) (page 46). Remove the fuel fill cap (2) by turning it counterclockwise.

Do not overfill the tank. There should be no fuel in the level plate (3).

After refueling, be sure to tighten the fuel fill cap firmly by turning it clockwise.

Make sure that the arrow marks (4) on the fuel fill cap and fuel tank is aligned.

Close the fuel lid.



⚠ WARNING

Petrol is highly flammable and explosive. You can be burned or seriously injured when handling fuel.

- Stop the engine and keep heat, sparks, and flame away.
- Refuel only outdoors.
- Wipe up spills immediately.

- (1) Fuel lid
- (2) Fuel fill cap
- (3) Level plate
- (4) Arrow marks

