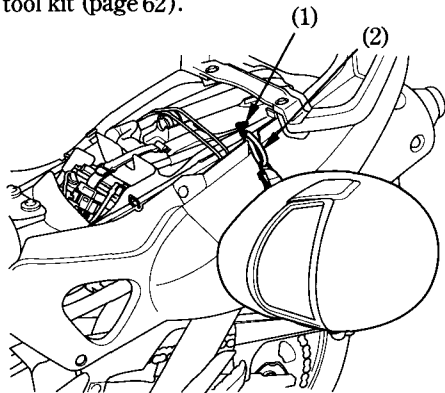


HELMET HOLDER

The helmet holder is located below the seat. Remove the seat (see page 39). Hang the helmet on the holder hook (1). Install the seat and lock it securely.

If you hang your extra helmet, you can use the helmet holder wire (2) furnished in the tool kit (page 62).



(1) Holder hook

(1) Helmet holder wire

▲WARNING

- * The helmet holder is designed for helmet security while parked. Do not ride with a helmet attached to the holder; the helmet may interfere with safe operation and result in loss of control.