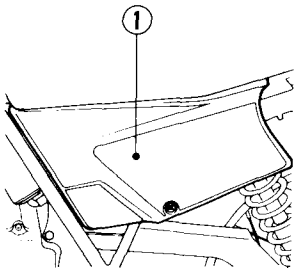


AIR CLEANER

(Refer to the maintenance precautions on page 47).

The air cleaner should be serviced at regular intervals (page 43). When riding in dusty areas, more frequent service may be necessary.

1. Remove the left side cover (1) by loosening the screw.
2. Remove the air cleaner cover screws (2) and the cover (3).
3. Loosen the wing nut (4) and remove the element (5).

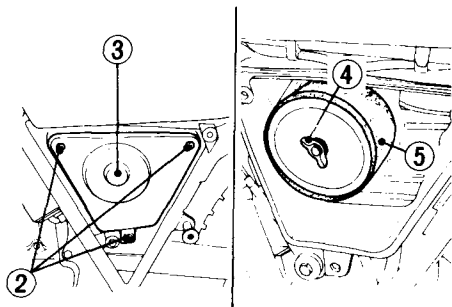


(1) Left side cover
48

4. Wash the element in non-flammable or high flash point solvent and let it dry thoroughly.

⚠ WARNING

- * **Never use petrol or low flash point solvents for cleaning the air cleaner element. A fire or explosion could result.**
5. Soak the element in gear oil (SAE 80–90) and squeeze out the excess.
 6. Install the removed parts in the reverse order of disassembly.



(2) Screws
(3) Cover

(4) Wing nut
(5) Element