

FUSE REPLACEMENT

(Refer to the maintenance precautions on page 47.)

The fuse holder (1) is on the right side of the battery case.

The specified fuse is 10A. The spare fuse (2) is on the inside of the battery cover.

When frequent fuse failure occurs, it usually indicates a short circuit or an overload in the electrical system. See your authorized Honda dealer for repair.

CAUTION:

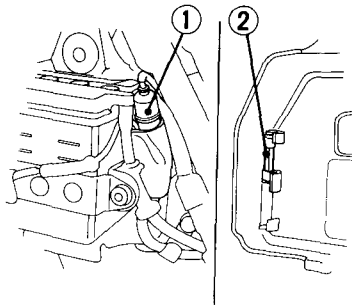
- * Turn the ignition switch OFF before checking or replacing the fuses to prevent accidental short-circuiting.

⚠ WARNING

- * Never use a fuse with a different rating from that specified. Serious damage to the electrical system or a fire may result, causing a dangerous loss of lights or engine power.

CAUTION:

- * Do not pry the clips open to get a fuse out; you could bend them and cause poor contact with the new fuse. A loose fuse could cause damage to the electrical system and even start a fire.



(1) Fuse holder

(2) Spare fuse