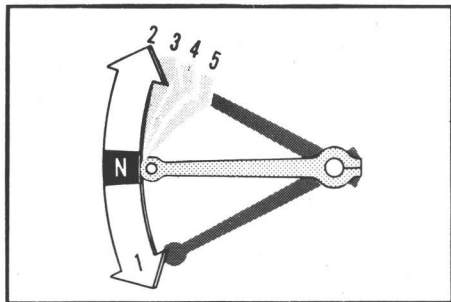


RIDING THE MOTORCYCLE

1. After the engine has been warmed up, the motorcycle is ready for riding.
2. While the engine is idling, pull in the clutch lever and depress the gear change pedal to shift into low (1st) gear.
3. Slowly release the clutch lever and at the same time gradually increase engine speed by opening the throttle. Coordination of the throttle and clutch lever will assure a smooth positive start.
4. When the motorcycle attains a moderate speed, close the throttle, pull in the clutch lever and shift to 2nd gear by raising the gear change pedal.
5. This sequence is repeated to progressively shift to 3rd, 4th and 5th (top) gear.
6. When decelerating the motorcycle, coordination of the throttle and the



Shifting pattern

- front and rear brakes is important.
- 1) The smooth gradual application of both the front and rear brakes together with the required throttle coordination will, under most conditions, assure positive speed reduction and stability during deceleration. As the motorcycle speed