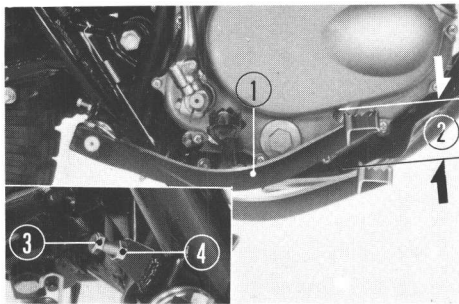


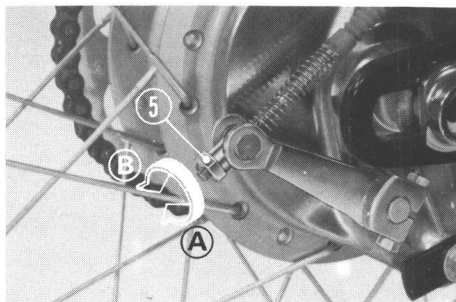
Rear Brake Adjustment

Rear brake pedal free play, measured at the tip of the rear brake pedal ①, should be maintained a **0.8–1.2 in. (20–30 mm)**. Free play is the distance the brake pedal moves before the brake starts to engage.



- ① Rear brake pedal ③ Pedal stopper bolt
② Free play ④ Lock nut

1. Adjust the static position of the brake pedal to suit the rider by adjusting the pedal stopper bolt ③.
2. Adjust the pedal free play by turning the rear brake adjusting nut ⑤. Turning the adjusting nut in direction ① will decrease the brake pedal free play and turning the nut in direction ② will increase the play.



- ⑤ Rear brake adjusting nut