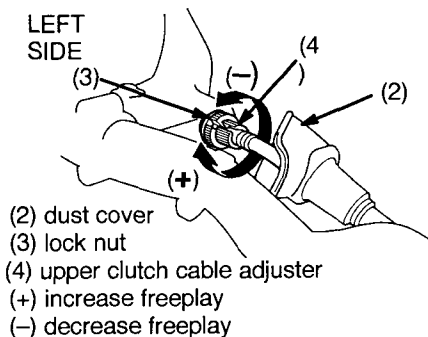


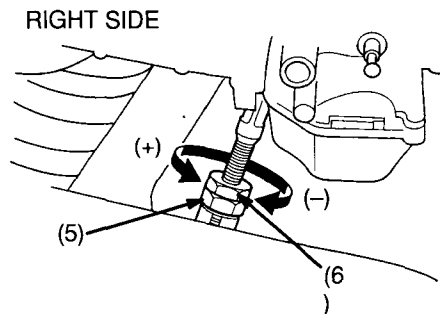
Clutch System

Upper clutch assembly adjuster:



1. Pull the rubber dust cover (2) back.
2. Loosen the lock nut (3).
3. Turn the upper clutch cable adjuster (4) to obtain the specified freeplay.
4. Tighten the lock nut and check the freeplay again.

Lower clutch cable adjuster:



- (5) lower adjusting nut
(6) lower lock nut
(+) increase freeplay
(-) decrease freeplay

If the upper clutch cable adjuster is threaded out near its limit — or the correct freeplay cannot be obtained:

1. Loosen the lock nut (3) and turn the