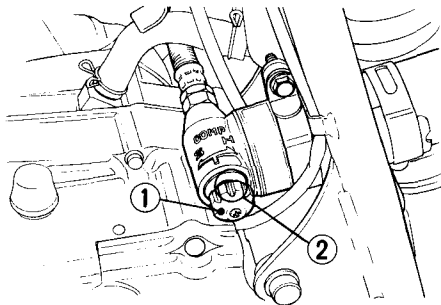


Compression damping:

The compression damping adjuster has 16 positions or more. Turning the adjuster knob one full turn clockwise advances the adjuster 4 positions. To adjust the adjuster to the standard position, proceed as follows:

1. Turn the adjuster knob (1) counterclockwise until it stops.



- (1) Adjuster knob
(2) Yellow dots

2. Check that the yellow dots (2) on the knob and reservoir are aligned. If they are not aligned, turn the knob clockwise until they are aligned.
3. The adjuster is set in the standard position when the knob is turned clockwise 8 positions (2 rotation) from the above position.

Spring preload:

1. Remove the left and right side covers.
2. Remove the seat, exhaust muffler and air cleaner box.

CAUTION:

- * **Be careful not to allow dust into the carburetor, severe engine damage could result.**