

VALVE CLEARANCE

(Refer to the maintenance precautions on page 45).

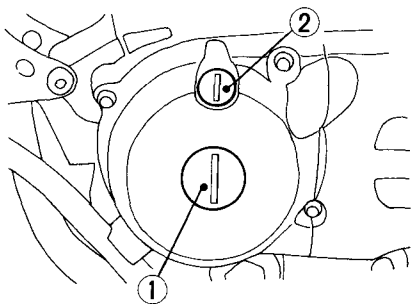
Excessive valve clearance will cause noise and eventual engine damage.

Little or no clearance will prevent the valve from closing and cause valve damage and power loss. Check valve clearance when the engine is cold, at the specified intervals.

NOTE:

* Checking or adjusting valve clearance should be performed while the engine is cold. The clearance may increase as the engine temperature rises.

1. Turn the fuel cock OFF and remove the seat and fuel tank.
2. Remove the crankshaft hole cap (1) and timing mark hole cap (2).
3. Remove the valve adjuster covers.



- (1) Crankshaft hole cap
(2) Timing mark hole cap