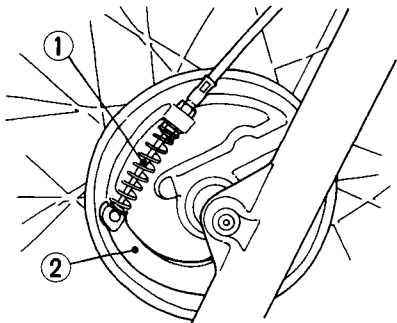


WHEEL REMOVAL

(Refer to the maintenance precautions on page 45).

Front Wheel Removal

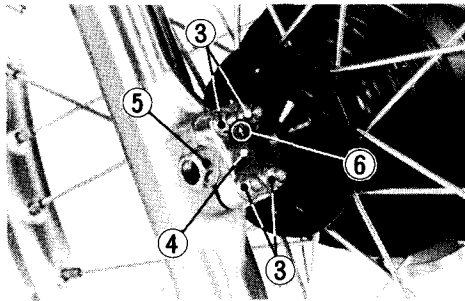
1. Raise the front wheel off the ground by placing a support under the engine.
2. Loosen the two bolts attaching the cable guide, and disconnect the front brake cable (1) from the brake arm (2).



(1) Brake cable

(2) Brake arm

3. Remove the front axle holder nuts (3) and the front axle holder (4).
4. Remove the axle (5). Remove the wheel.



(3) Axle holder nuts
(4) Axle holder

(5) Front axle
(6) UP mark