

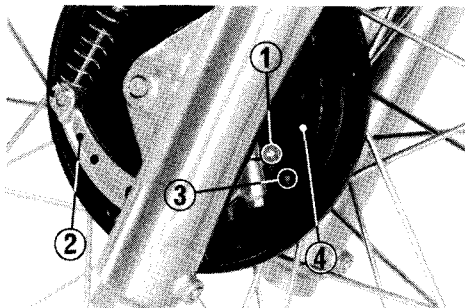
## BRAKE SHOE WEAR

(Refer to the maintenance precautions on page 45).

The front and rear brakes equipped with brake wear indicators.

When the brake is applied, an arrow (1) attached to the brake arm (2) moves toward a reference mark (3) on the brake panel (4).

If the arrow aligns with the reference mark on full application of the brake, the brake shoes must be replaced.



(FRONT)

(1) Arrow

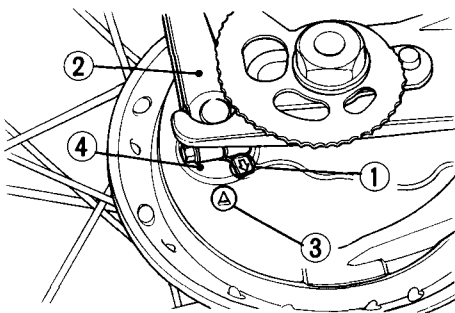
(2) Brake arm

(3) Reference mark

(4) Brake panel

## NOTE:

\* When the brake service is necessary, see your authorized Honda dealer. Use only genuine Honda parts or its equivalent.



(REAR)

(1) Arrow

(2) Brake arm

(3) Reference mark

(4) Brake panel