

LEFT HANDLEBAR CONTROLS

Headlight Dimmer Switch (1)

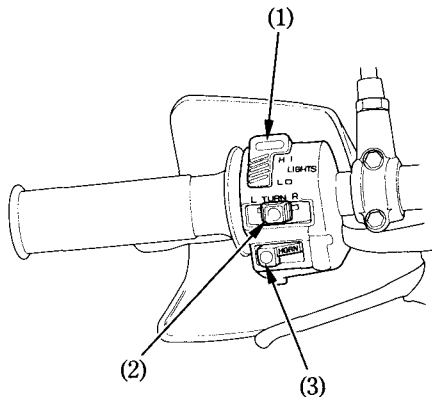
Select HI for high beam, LO for low beam.

Turn Signal Switch (2)

Move to L to signal a left turn, R to signal a right turn. Press to turn signal off.

Horn Button (3)

Press the button to sound the horn.



- (1) Headlight dimmer switch
- (2) Turn signal switch
- (3) Horn button