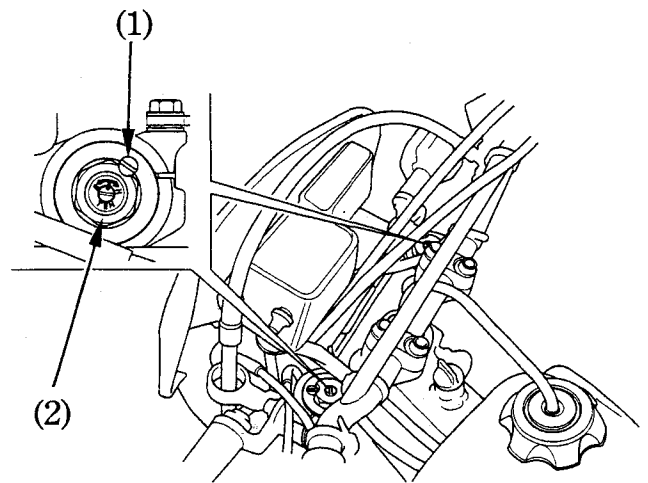


### Oil Volume Adjustment:

Low oil levels provide a soft ride and are for light loads and smooth riding conditions. High oil levels provide a firm ride and are for heavy loads and rough riding conditions.

1. Raise the front wheel off the ground by placing a support block under the engine.
2. Remove the pressure release screws (1) to release any accumulated air pressure.
3. Remove the fork caps (2) and springs from the fork tubes. Inspect the O-rings on the fork caps and replace them if they are damaged.

The fork caps are under extreme spring pressure. Use care when removing the caps and wear eye and face protection.



- (1) Pressure release screws  
(2) Fork caps