

Fuel Tank

The fuel tank capacity including the reserve supply is:

9.5 ℓ (2.51 US gal , 2.09 Imp gal)

The reserve supply alone is:

1.5 ℓ (0.40 US gal , 0.33 Imp gal)

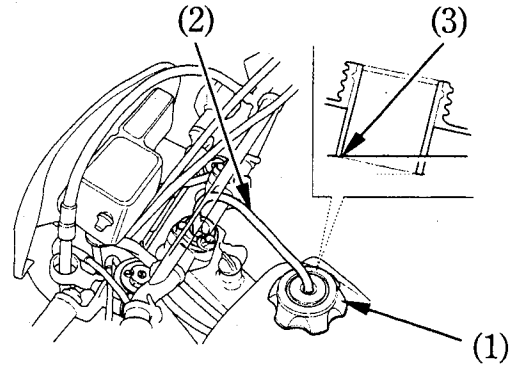
To open the fuel fill cap (1), pull out the breather tube (2) from the steering stem nut. Then turn the fuel fill cap counterclockwise.

After refueling, be sure to tighten the fuel fill cap firmly by turning it clockwise. Insert the breather tube into the steering stem nut.

⚠ WARNING

Petrol is highly flammable and explosive. You can be burned or seriously injured when handling fuel.

- Stop the engine and keep heat, sparks, and flame away.
- Refuel only outdoors.
- Wipe up spills immediately.



(1) Fuel fill cap
(2) Breather tube

(3) Filler neck