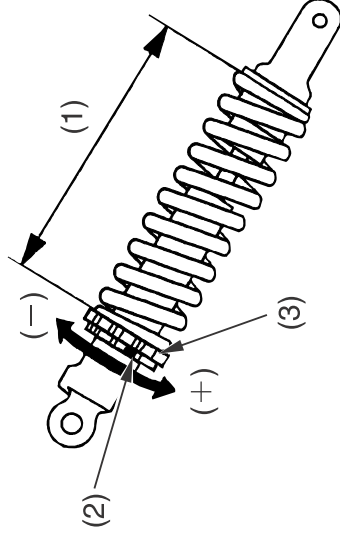


Suspension

6. Loosen the rubber band and clip (7).
7. Remove the three subframe mounting bolts (8) (9) (10).
8. Remove the subframe by pulling it straight back.
9. Raise the rear wheel off the ground by placing a support block under the engine.



10. Measure the spring length (1).
 Standard: 8.36 in (212.3 mm)
 Minimum: 8.08 in (205.3 mm)
 Maximum: 8.56 in (217.3 mm)



(1) spring length
 (2) lock nut
 (3) adjusting nut

(+) increase preload
 (-) decrease preload

