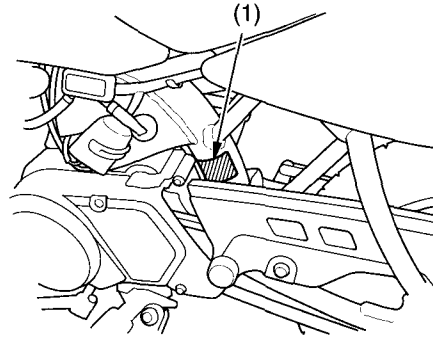


# Vehicle Identification

## Color Label & Code

The color label (1) is attached to the left side of the frame down tube.

The color code is helpful when ordering replacement parts. You may record the color and code in the Quick Reference section at the rear of the manual.



(1) color label