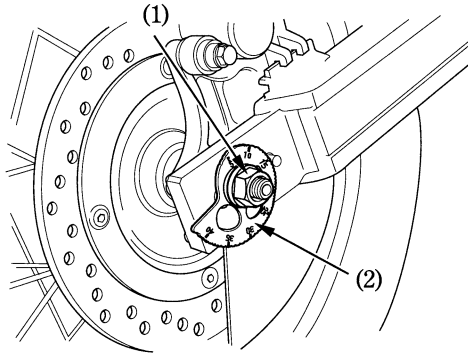


Rear Wheel Removal

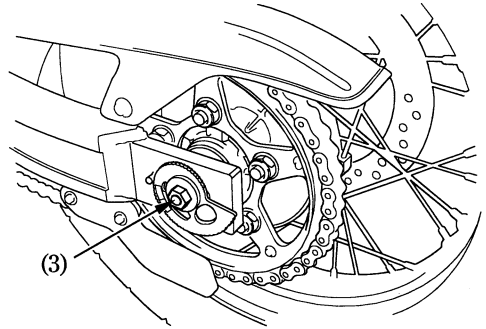
1. Raise the rear wheel off the ground by placing a support block under the engine.
2. Loosen the rear axle nut (1).
3. Turn both adjusters (2) so the rear wheel can be moved all the way forward for maximum drive chain slack.
4. Move the rear wheel forward. Derail the drive chain from the driven sprocket.



(1) Rear axle nut

(2) Adjuster

5. Remove the axle nut (1).
6. Remove the axle shaft (3), side collar and rear wheel from the swing arm.



(3) Rear axle