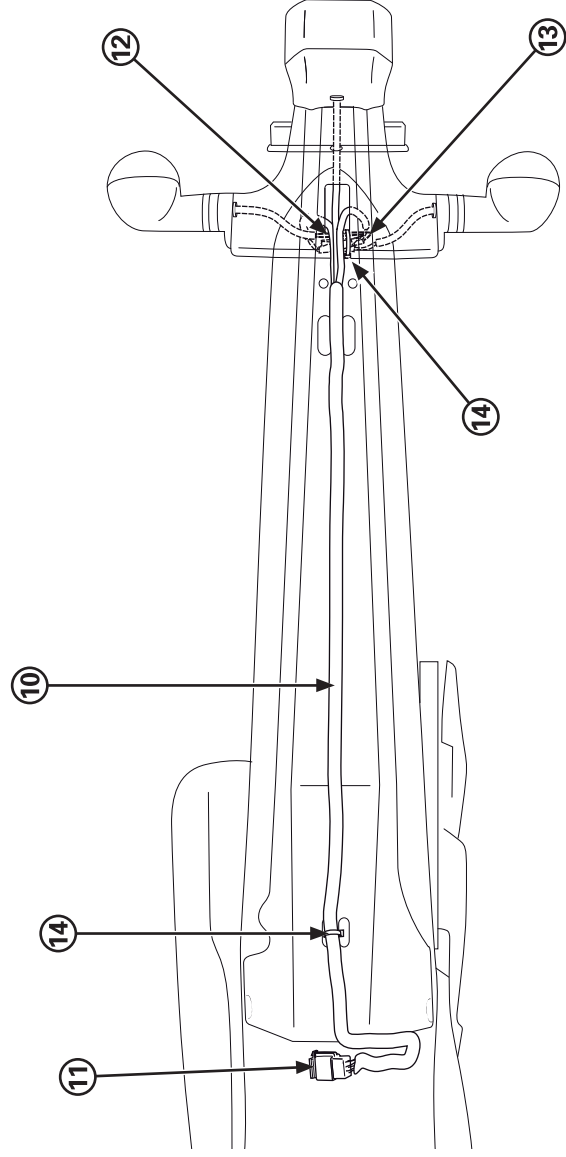


- (1) SPEEDOMETER
- (2) POWER RELAY
- (3) WINKER RELAY
- (4) FAN RELAY
- (5) RIGHT FRONT TURN SIGNAL CONNECTORS
- (6) LEFT FRONT TURN SIGNAL CONNECTORS
- (7) CONNECTOR 9P
- (8) CONNECTOR 6P
- (9) CONNECTOR 3P



- (10) INDICATOR LIGHT INSTALLATION
- (11) INDICATOR LIGHT INSTALLATION CONNECTOR
- (12) RIGHT REAR TURN SIGNAL CONNECTORS
- (13) LEFT REAR TURN SIGNAL CONNECTORS
- (14) CLAMPS