

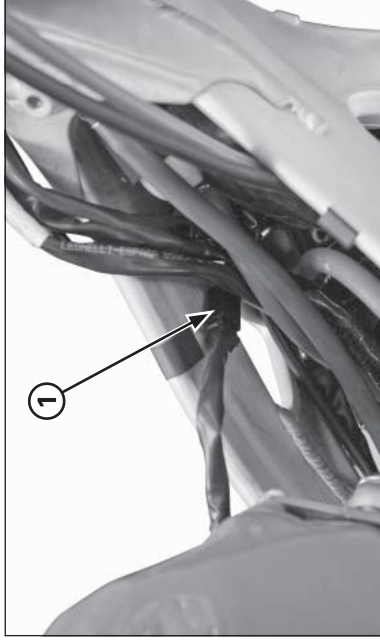
(1) BREATHER HOSE
(2) BOLT
(3) FUEL TANK



(1) VACUUM HOSE
(2) PRESSURE REGULATOR

Disconnect the fuel tank breather hose.
Remove the fuel tank mounting bolts.

Disconnect the vacuum hose from the pressure regulator.

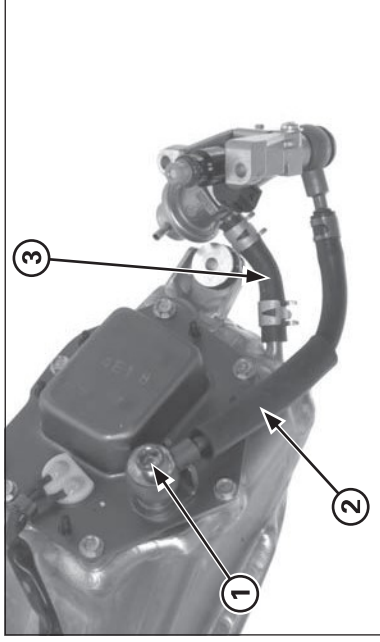


(1) 2P (BLACK) CONNECTOR

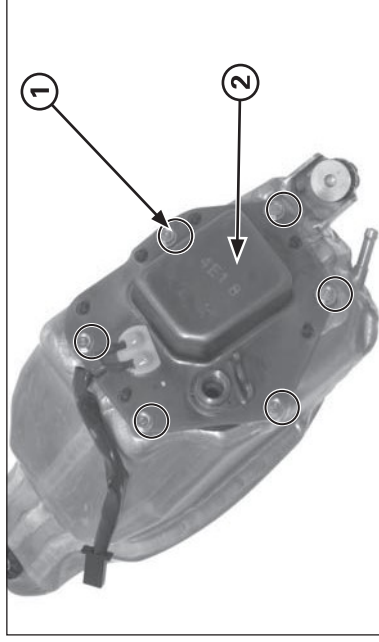
Pull up the fuel tank and disconnect the fuel pump 2P (Black) connector.

Remove the fuel tank and injector as an assembly being careful not to damage the injector especially tip of the injector.

After removing the fuel tank/injector assembly, protect tip of the injector.
Also cover the cylinder head injector hole to prevent dust and dirt fall into the combustion chamber.



(1) BANJO BOLT
(2) FUEL FEED HOSE
(3) FUEL RETURN HOSE



(1) BOLTS
(2) FUEL PUMP

Remove the banjo bolt, sealing washers and fuel feed hose.

Remove the fuel pump base mounting bolts.
Remove the fuel pump assembly being careful not to damage the pump.