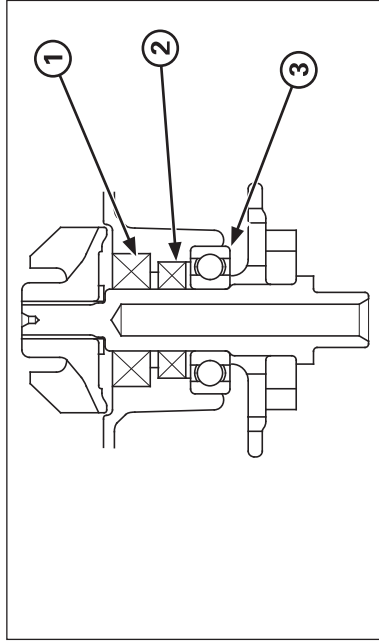


(1) WATER SEAL DRIVER
(2) DRIVER/ATTACHMENT

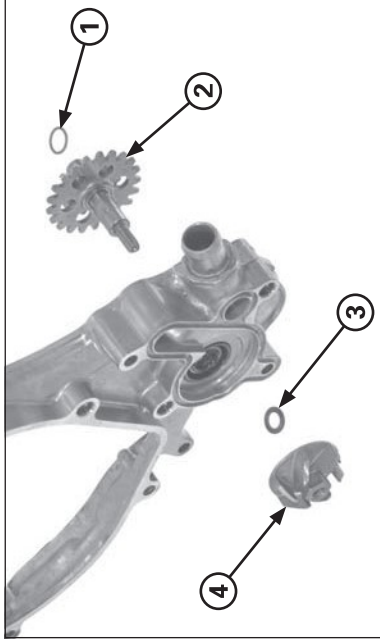


(1) WATER SEAL
(2) OIL SEAL
(3) BEARING

Install the water seal into the right crankcase cover in the direction shown in the illustration above.

Tool:
Water seal driver 07945-KA30000

Install a new oil seal in the direction shown in the illustration above.
Drive the new bearing into the right crankcase cover (Tools; page 2-8).

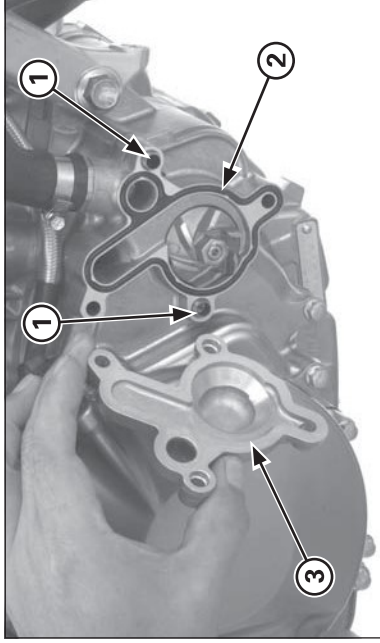


(1) WASHER
(2) WATER PUMP SHAFT
(3) NEW COPPER WASHER
(4) IMPELLER

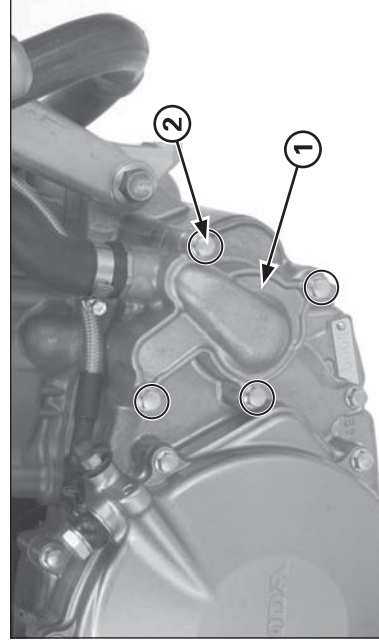
Install the water pump shaft, new copper washer and impeller into the right crankcase cover.
Hold the water pump gear using a suitable tool and tighten the impeller to the specified torque.

Torque: 12 N·m (1.2 kgf·m, 9 lbf·ft)

Install the washer and right crankcase cover (page 4-38).



(1) DOWEL PINS
(2) NEW O-RING
(3) WATER PUMP COVER



(1) WATER PUMP COVER
(2) BOLTS

Install the following:

- Dowel pins, new O-ring
- Water pump cover, bolts

Fill the crankcase with recommended transmission oil (page 3-8).
Fill the coolant and bleed air (page 3-9).