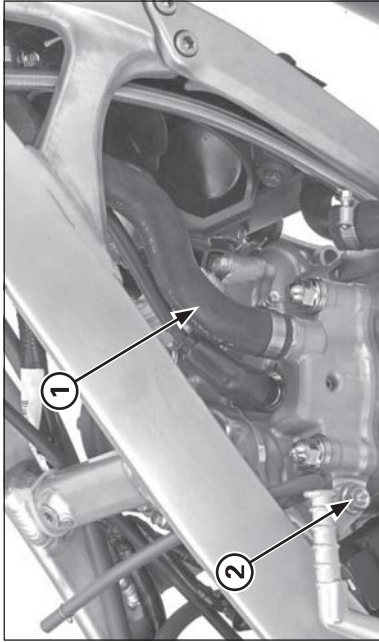


Engine servicing



- (1) RADIATOR HOSE
- (2) HANGER BOLTS

Cylinder Head Removal

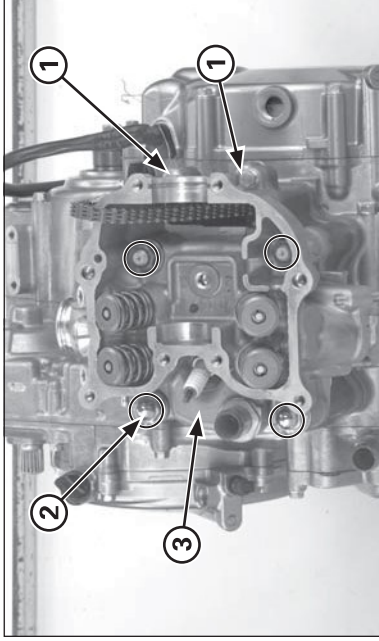
Remove the following:

- Exhaust pipe
- Throttle body/insulator
- Cylinder head cover/camshaft
- Spark plug

Drain the coolant.

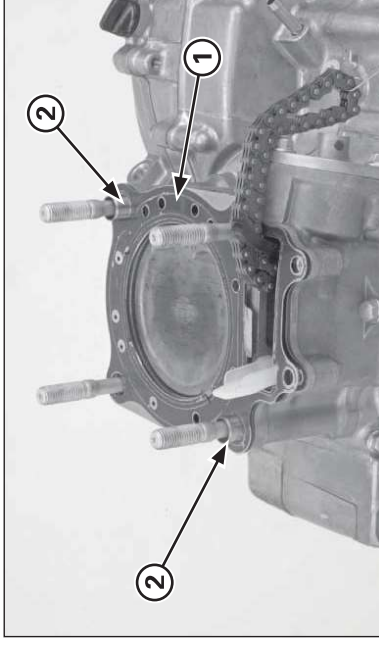
Loosen the hose band screw and disconnect the upper radiator hose from the cylinder head.

Remove the upper engine hanger bolts.

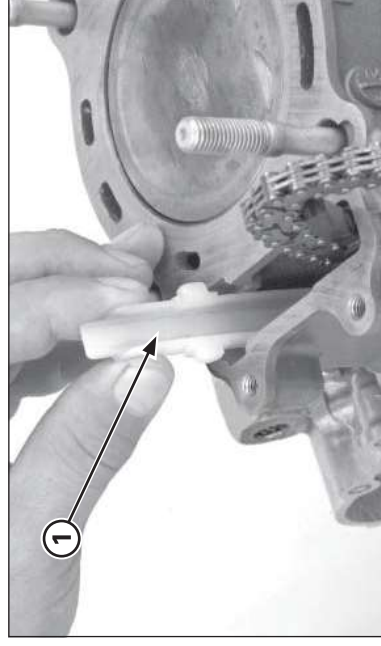


- (1) BOLTS
- (2) NUTS/WASHERS
- (3) CYLINDER HEAD

Remove the cylinder head mounting bolts. Loosen the cylinder head mounting nuts in a crisscross pattern in two or three steps. Remove the nuts, washers and cylinder head.



- (1) GASKET
- (2) DOWEL PINS



- (1) CAM CHAIN GUIDE

Remove the gasket and dowel pins.

Remove the cam chain guide.