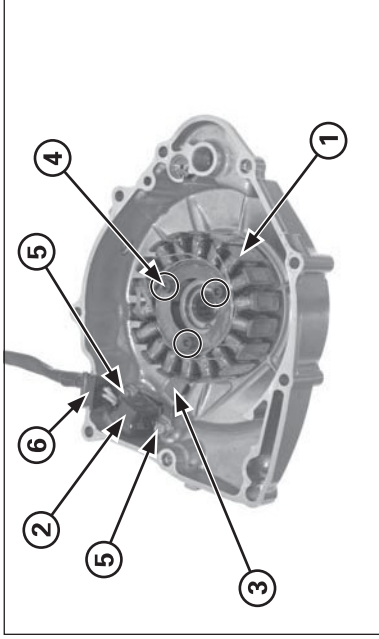


- (1) OIL SEAL
- (2) WASHER
- (3) SNAP RING

Apply grease to the new oil seal lip and install it into the left crankcase cover.  
Install the washer and snap ring.

Install the oil pressure relief valve (page 4-1).



- (1) STATOR
- (2) IGNITION PULSE GENERATOR
- (3) WIRE CLAMP
- (4) SOCKET BOLTS
- (5) BOLTS
- (6) GROMMET

Install the stator and ignition pulse generator assembly into the left crankcase cover.  
Apply locking agent to the stator and ignition pulse generator mounting bolt threads.  
Install the alternator wire clamp.

Install the stator and ignition pulse generator mounting bolts.

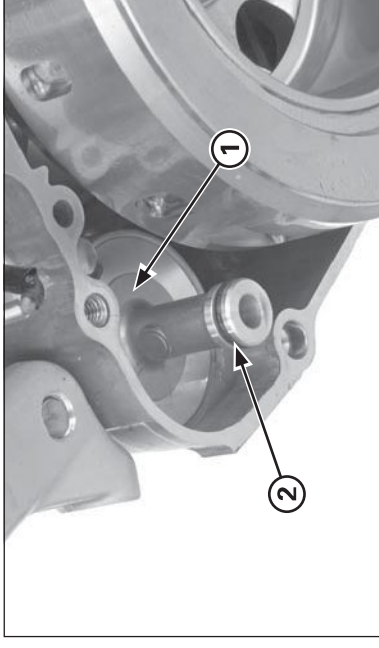
Tighten the stator mounting bolts to the specified torque.

**Torque: 5.4 N·m (0.55 kgf·m, 4.0 lbf·ft)**

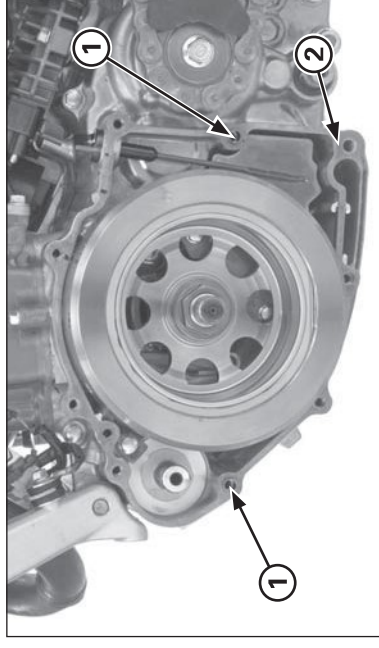
Tighten the ignition pulse generator mounting bolts to the specified torque.

**Torque: 5.4 N·m (0.55 kgf·m, 4.0 lbf·ft)**

Apply sealant to the stator/ignition pulse generator wire grommet and install it into the left crankcase cover groove.



- (1) OIL FILTER COVER
- (2) O-RING



- (1) DOWEL PINS
- (2) NEW GASKET

### Installation

Check the oil filter cover O-ring is in groove condition, replace if necessary.

Install dowel pins and new gasket.