

Frame servicing



- (1) BOTTOM BRIDGE PINCH BOLTS
- (2) FORK BOLT
- (3) TOP BRIDGE PINCH BOLTS

Tighten the bottom bridge pinch bolts to the specified torque.

Torque: 21 N•m (2.1 kgf•m, 14 lbf•ft)

Overtightening the pinch bolts can deform the outer tube. Deformed outer tube must be replaced.

Tighten the fork bolt.

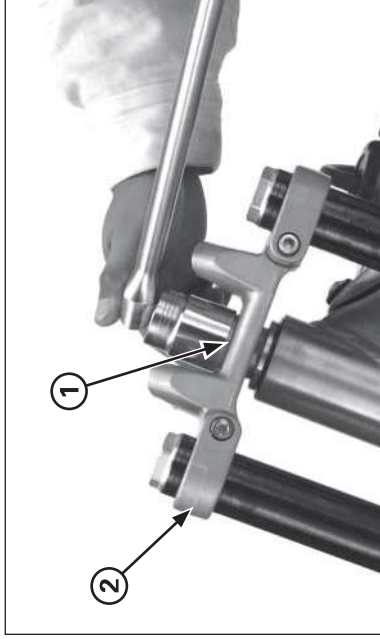
Tighten the top bridge pinch bolt to the specified torque.

Torque: 21 N•m (2.1 kgf•m, 14 lbf•ft)

Return spring pre-load and rebound adjuster to their original positions as noted during removal.

Install the following:

- Front fender
- Front wheel (page 5-2)



- (1) STEM NUT
- (2) TOP BRIDGE

Steering stem

Disassembly

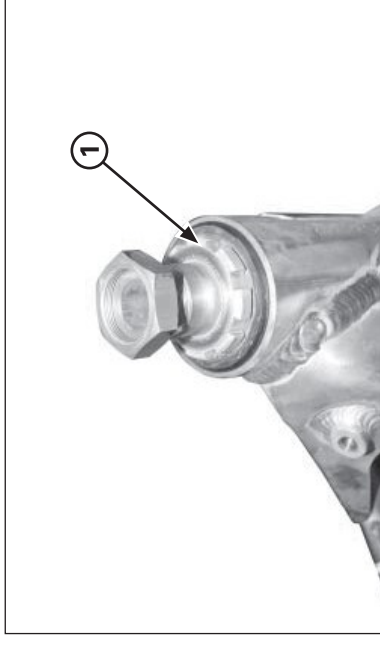
Remove the following:

- Handlebar
- Front wheel (page 5-1)
- Front fender

Remove the steering stem nut and washer.

Remove the fork legs (page 5-3).

Remove the top bridge.



- (1) ADJUSTING NUT



- (1) DUST SEAL
- (2) UPPER BEARING
- (3) STEM

Remove the stem bearing adjusting nut.

Remove the following:

- Dust seal
- Upper bearing
- Steering stem/lower bearing