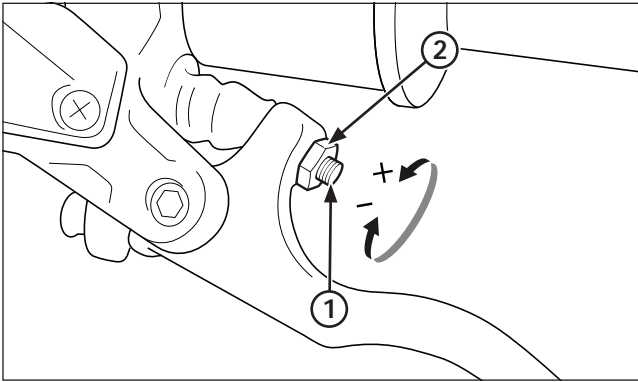


## Operating instructions



- (1) ADJUSTER
- (2) LOCK NUT

### Clutch Lever

The clutch lever free play can be adjusted by turning the adjuster.

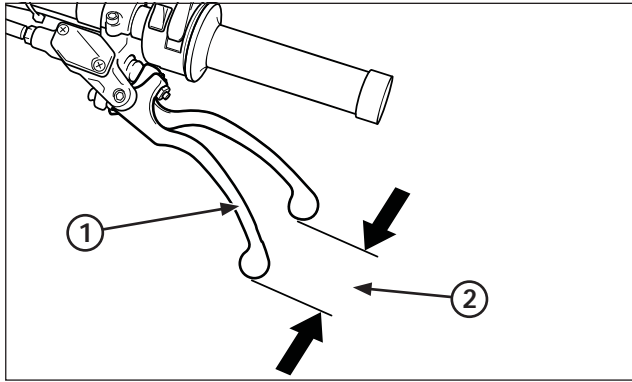
Free play must be adjusted to provide 0.5 – 1.5 mm (0.019 – 0.060 in) clearance between the end of the adjuster and the clutch master cylinder piston.

- To reduce free play, turn the adjuster clockwise, then tighten the lock nut securely.
- To increase free play, turn the adjuster counterclockwise, then tighten the lock nut securely.

If the clutch will not disengage or motorcycle creeps with clutch disengaged, there is probably air in the clutch system and it must be bled.

### NOTICE

*Do not adjust the end of the adjuster and the clutch master cylinder piston below 0.5 mm (0.019 in).*



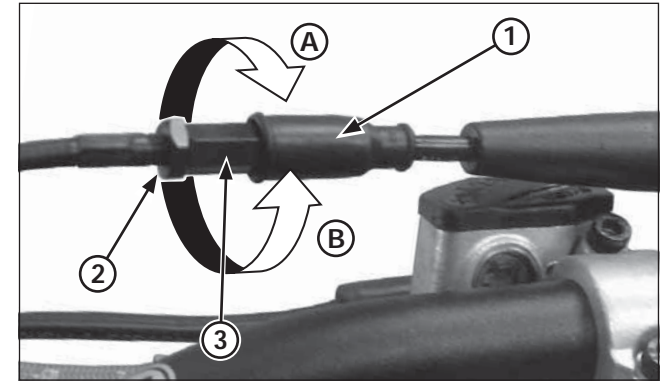
- (1) CLUTCH LEVER
- (2) FREE PLAY

### Clutch Lever Free Play

Standard clutch lever free play should be between 0.5 – 15 mm (0.019 – 0.60 in).

### NOTICE

*Do not adjust the free play of the lever to less than 5 mm (0.196 in).*



- (1) DUST COVER
- (2) LOCK NUT
- (3) ADJUSTER
- (A) DECREASE
- (B) INCREASE

### Throttle Grip

#### Throttle Grip Free Play

Standard throttle grip free play is approximately 3 mm (0.12 in) of grip rotation.

Adjustment is made with the integral throttle cable adjuster.

Slide the dust cover off from the integral cable adjuster. Turning the adjuster in direction "A" will decrease free play and turning it in direction "B" will increase free play. Tighten the lock nut after adjustment.

Operate the throttle grip to ensure that it functions smoothly and returns completely in all steering position.