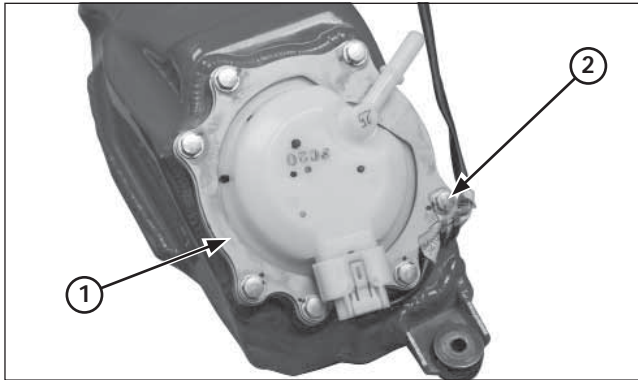
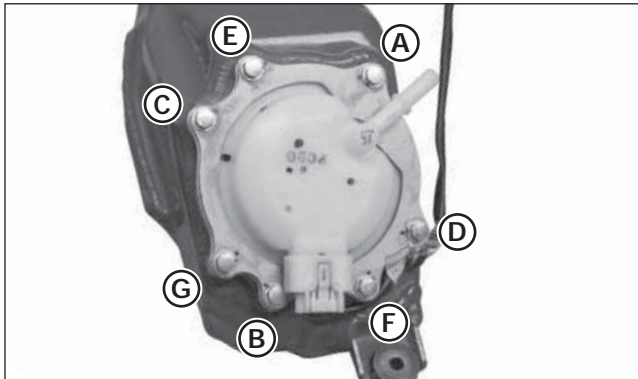


Engine servicing



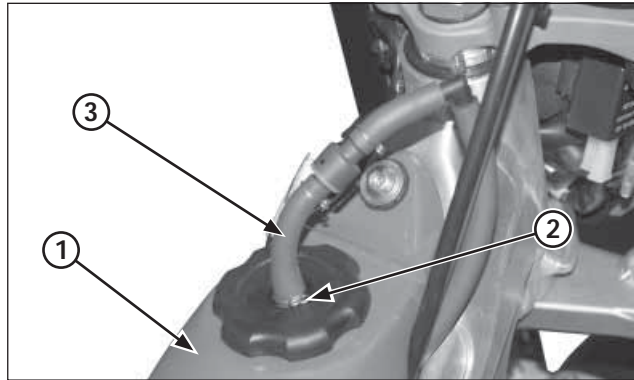
- (1) FUEL PUMP BASE
- (2) BOLTS



Insert the mounting bolts in the pump.
Place the pump base in its position as shown.

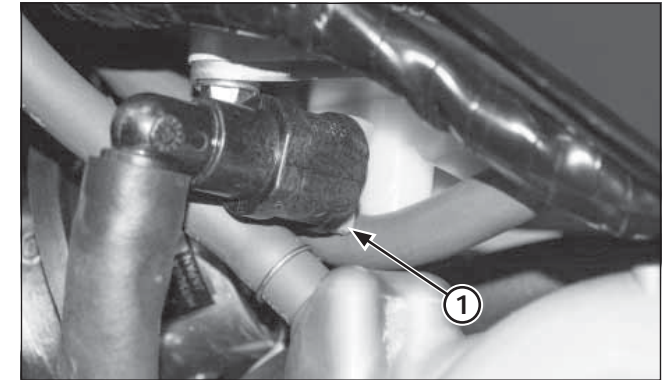
Tighten the pump mounting bolts in alphabetical order as shown in the image.

Torque: 7 - 9 N•m (0.7 - 0.9 kgf•m, 5.1 - 6.6 lbf•ft)

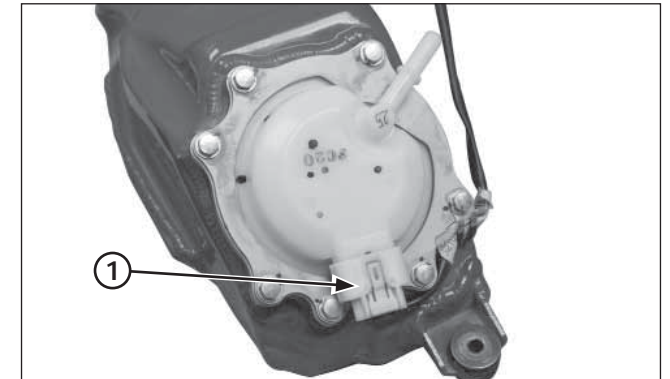


- (1) TANK
- (2) CLIP
- (3) BREATHER HOSE

Mount the tank on the chassis.
Connect the breather hose to the tank and secure it with the clip.



- (1) PUMP CONNECTOR



- (1) 5P CONNECTOR

Insert the fast connector in the pump (page 4-4).

Connect the fuel pump's 5P connector.