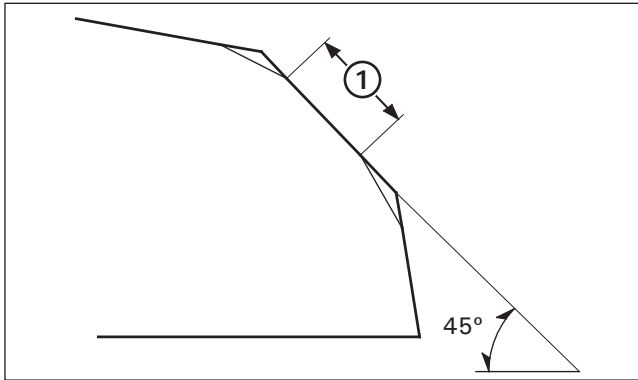


## Engine servicing



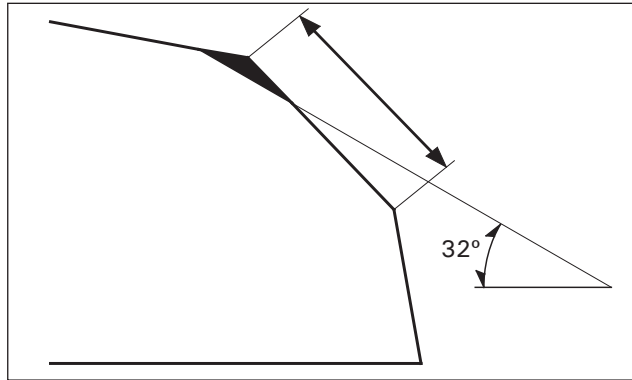
(1) SEAT WIDTH

Use a 45° cutter, remove any roughness or irregularities from the seat.

Reface the seat with a 45° cutter whenever a valve guide is replaced.

**Tools:**

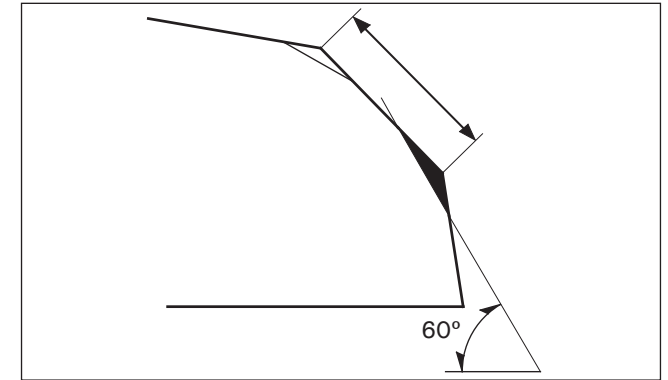
Seat cutter, 24.5 mm    07780-0010100  
Seat cutter, 22 mm    07780-0010701  
Cutter holder, 4.5 mm    07781-0010600  
or equivalent commercially available



Use a 32° flat cutter, remove 1/4 of the existing valve seat material.

**Tools:**

Flat cutter, 25 mm    07780-0012000  
Flat cutter, 21.5 mm    07780-0012800  
Cutter holder, 4.5 mm    07781-0010600  
or equivalent commercially available



Use an interior cutter, remove 1/4 of the existing valve seat material.

**Tools:**

Interior cutter, 26 mm    07780-0014500  
Interior cutter, 22 mm    07780-0014202  
Cutter holder, 4.5 mm    07781-0010600  
or equivalent commercially available